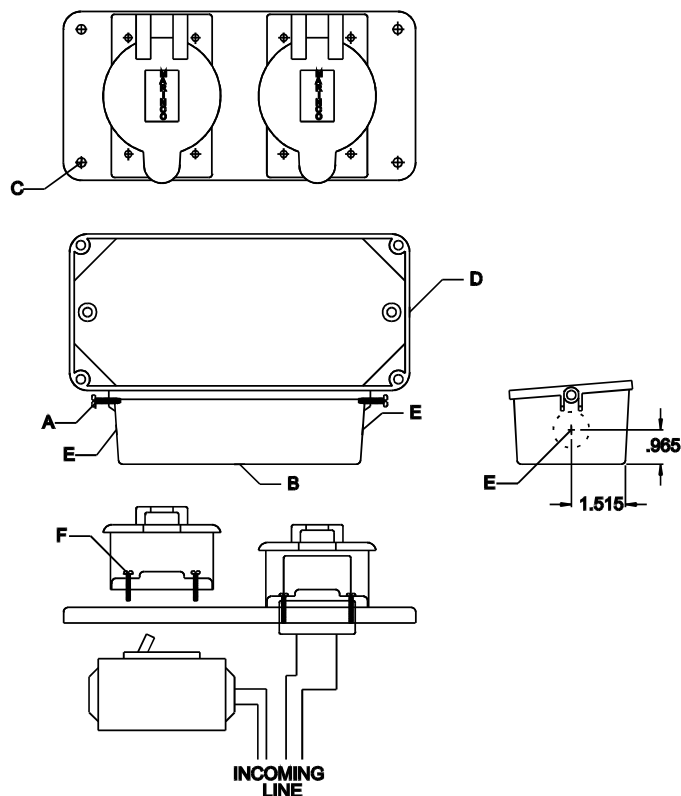


## INSTALLATION INSTRUCTIONS PC.MIN.50A-4W



### EASY INSTALLATION INSTRUCTIONS

1. Remove two screws "A" from base "B".
  2. Drill a 1-1/8" hole at any drill point "E" identified for incoming electrical wiring. Install 3/4" conduit fitting (when installed in a wet location, use a listed wet location conduit fitting).
  3. Mount base "B" onto mounting surface using the two 5/16" holes provided (mounting hardware not included).
  4. Remove four corner screws "C" from the face cover. Remove cover, with breaker and receptacle attached, from enclosure body "D".
  5. Install enclosure body "D" onto mounting base "B" using two screws "A".
  6. Run 6 AWG, minimum, listed copper wire through the conduit into the enclosure. Follow the wiring instruction on the rating label for the line connections (green wire is ground; black and red wires are 240V line; white wire is neutral). Install in accordance with the National Electric Code.
  7. Remove the four screws "F" from the flip cover over the 50A circuit breaker. Connect the incoming lines (black and red wires) to the 50A circuit breaker. Torque lug screws to the value specified on the rating label.
  8. Reinstall the breaker and the gasket and the flip cover using the four screws "F".
- NOTE: It is not necessary to remove the receptacle and flip cover from the enclosure cover to do steps 9 and 10.
9. Connect the neutral (white wire) to the receptacle marked with a "W". Torque screw to 25 in.-lbs.
  10. Connect the ground (green wire) to the receptacle marked with "EQ. GR." or the metal strap. Torque screw to 25 in.-lbs.
  11. Reinstall the enclosure cover using the four screws "C".
  12. Energize the mini power center for use.

# MARINCO