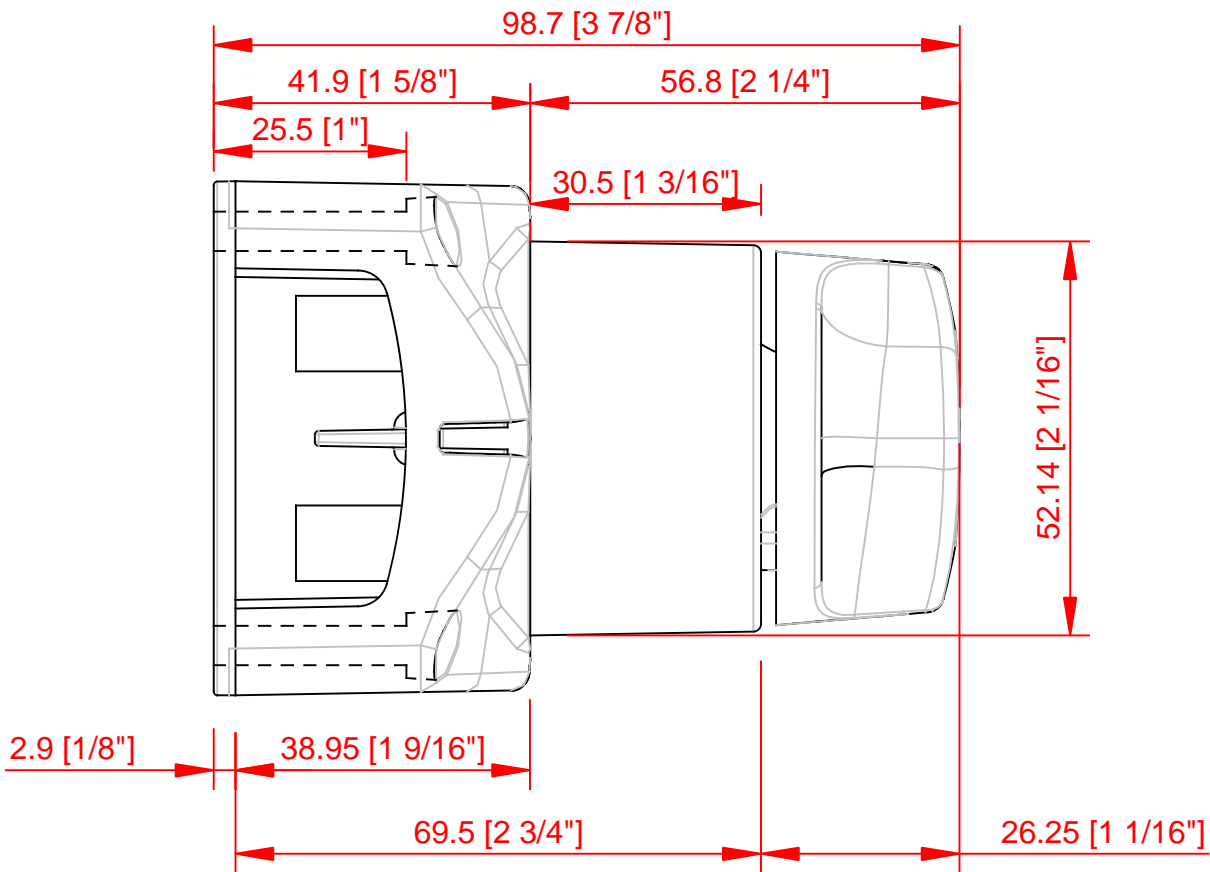


**FASTENINGS:**  
Use M5, or  $\frac{3}{16}$ "



DATE 4/12/2014		DWG No. 701-MDCZ		TITLE: MOUNTING TEMPLATE & DIMENSIONS			
DRAWN GKD		NPF # #		PRINT PDF AT 1:1 -NO SCALING!			
ECD	DATE	DESCRIPTION	DRAWN	APPRV	ECD	DATE	DESCRIPTION

**MARINCO**  
**BEP PRODUCTS**

BEP MARINE LTD.  
42 Apollo Dr, Rosedale  
Auckland 0632 N.Z.  
PH 09 415 7261 FAX 09 415 9327  
www.marinco.com