

GUEST

CHARGEPRO™

5 Amp On-Board Marine Battery Charger

The most compact in the GUEST family, the 5 amp ChargePro part # 2708A is a single bank 5 amp 12V isolated output charger with wide input voltage range (90-135V AC).

Every Guest charger has dedicated battery charging, sensing and control per bank. The easy to read graphics indicate the status of each battery bank through the charging process.

ChargePro's low profile flangeless extruded aluminum housing is sealed by gaskets with heavy duty end caps for 100% waterproof performance to IP67. This new construction design delivers an increase in charging and thermal management performance. The new ChargePro Series is up to 40% lighter while increasing durability and ease of installation.

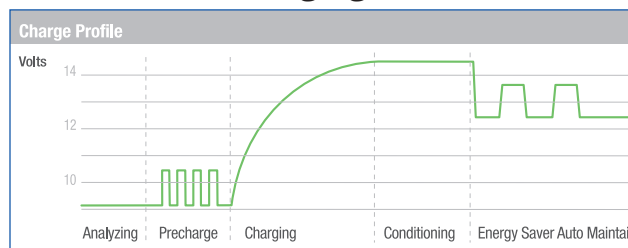
- All high frequency, digital charging technology
- Microprocessor and software control for precision, fully automatic 5-stage performance charging
- Auto-maintain energy saver mode
- 100% Waterproof (IP67) and shock resistant for all fresh and saltwater applications
- All models are pre-wired for easy installation
- Built-in safety: reverse polarity, over-current, over-voltage, over-temperature and ignition protection. In-line fuses for maximum DC wire protection.
- For all 12 volt Flooded and AGM lead acid batteries
- 2 year warranty



Specifications

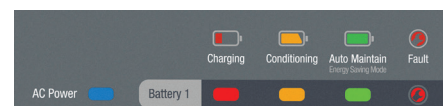
Part #	2708A
Input AC Voltage	90-135V AC 50/60Hz
DC System Voltage	12V
Banks	1
Amps	5
Amps per Bank	5A
AC and DC Cord Length	6 ft
Size (WxHxL)	7.5" x 2.4" x 7.2"
Weight (lbs)	3.2
Housing Material	Extruded Aluminum
Temperature Rating	-10°-50°C
Connections	NEMA 5-15 AC Plug and DC ring terminals
Warranty	2 years
Battery Type	12V Flooded and AGM
Over Current Protection	In line fuse
Environmental Rating	IP67, Type 6
Minimum Voltage	3.5V

Fully Automatic Multi-Stage Performance Charging Overview



ChargePro's 5-Stage Performance Charging algorithm is fully automatic and designed to maximize battery performance and extend battery life.

LED Display



The ChargePro™ Series includes 1 Blue AC Power LED with 4 LEDs per battery bank with the following functions:

- Charging: Red
- Conditioning: Amber
- Auto Maintain: Green
- Fault: Red

Ratings



Certified to:
UL STD 1236
CSA C22.2 No. 107.2
FCC Class B

IP67

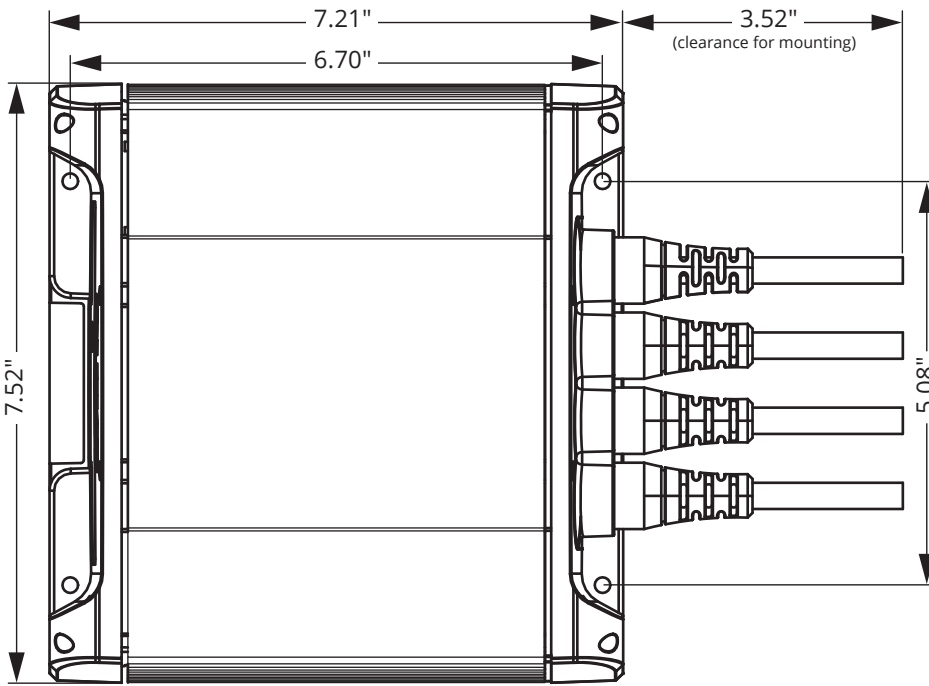


Designed and
Constructed to:
ABYC-31



Environmental Rating:
Type 6

Dimensions



Can be mounted vertically or horizontally.