

# AFI LIMITED ONE YEAR WARRANTY

AFI, Inc. provides the following Limited Warranty on its products to the original purchaser of this product and to any person to whom such product is transferred during the duration of this warranty.

The warrantor's obligation shall be limited to the repairing or replacing, at warrantor's election, at the warrantor's address, any part or parts which shall within the ONE YEAR hereinafter specified be returned to it with transportation prepaid and which upon examination by AFI, Inc. shows to have been defective.

This warranty shall NOT apply if the product has been altered, repaired or modified outside the warrantor's place of business in any way that would adversely affect its operations.

The ONE YEAR limited warranty period shall commence with the date the product is sold to the purchaser by the dealer.

The implied warranties of merchantability and fitness for a particular purpose are limited to the duration of this warranty - one year.

Purchase or other acceptance of this product by the claimant shall be on the condition and agreement that AFI, Inc. SHALL NOT BE LIABLE FOR INCIDENTAL OR CONSEQUENTIAL DAMAGES OF ANY KIND.

Some states do not allow the exclusion of limitation of implied warranties or consequential damages, so the above limitations or exclusions may not apply to you. This warranty gives you specific legal rights, and you may also have other rights that vary from state to state.

To make claim under this warranty send product directly to: Customer Service Department, AFI, Inc. 2655 Napa Valley Corporate Drive, Napa, CA 94558. AFI, Inc. Will make every effort to repair or replace the product within the terms of this warranty within 15 days after receipt of the product.

201114  
1/98

AFI, INC. 2655 Napa Valley Corporate Drive, Napa, CA 94558 USA  
TELEPHONE: 707-226-9600 FAX: 707-226-9670

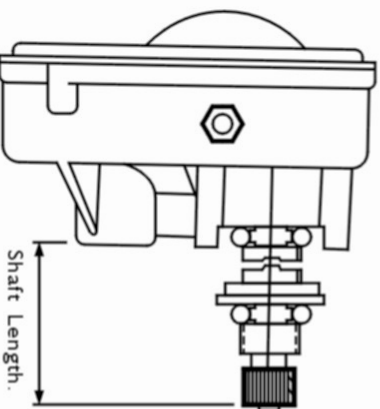


QUALITY MARINE ACCESSORIES

## INSTALLATION INSTRUCTIONS

The Model MRFV heavy duty wipers offer both the features of self parking and possibility to change the sweep. The two speed models also provide slow and fast sweeps:

Slow: 32-40 sweeps a minute  
Fast: 52-60 sweeps a minute



Model Nr.	Sweep*	Shaft Length
34000	80°	2 1/2" (63.5mm)
34010	110°	"
34001	80°	1 1/2" (38.1mm)
34011	110°	"
34005	80°	3 1/2" (88.9mm)
34015	110°	"

\*Motors are adjusted to these standard sweep angles in production which can be changed to other angles, if necessary.

MODEL MRFV TWO SPEED

## Heavy-Duty Wiper Motor

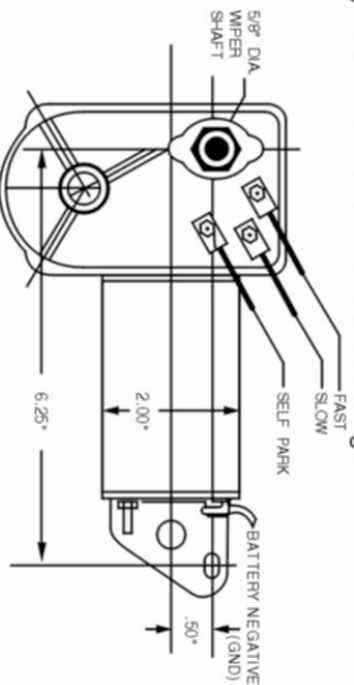


## MOUNTING & WIRING

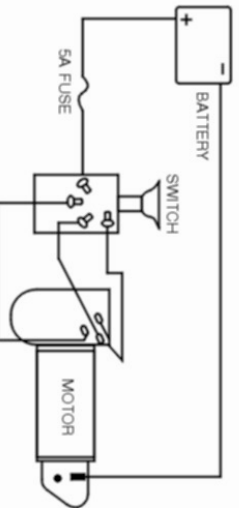
- Locate proper mounting position of wiper assembly.
- Determine whether adequate space is available and see that blade will wipe the desired area of windshield.
- Distance between shaft hole and bracket hole should be 6-1/4" (159 mm).
- Drill wiper shaft first using a 5/8" (16 mm) diameter. It may also be necessary to slightly enlarge hole after drilling to facilitate ease of installation.
- The mounting bracket hole may now be drilled. A number 10 size screw is required (not supplied).
- The wiper motor may now be placed in position and the wiper shaft attaching nut and washers installed. This nut should be tightened to 30-50 in lbs. (35-58 kg. cms). Caution: do not over tighten.
- Wiring - a simple wiring diagram is shown below.

For marine applications where mounting is of wood, fiberglass, etc., a separate ground wire must be attached to the motor and connected to a battery ground point.

**NOTE:** Blade and arm should be installed approximately 1" (25.4 mm) minimum away from windshield molding. Energize the motor for short intervals to make certain the wiper blade does not strike at either end of the wiping arc. If blade strikes at both ends, it will be necessary to shorten the arm and blade length.



WIRING SCHEMATIC



## CHANGE WIPING ANGLE & PARKING

**Should a change of wiping angle be necessary, it can be performed on follows (see illustration).**

- Remove cover plate with a "+" screw driver.
- Using a "-" screw driver to remove "U" shape clip on the shaft connecting transmission plate to the main shaft.
- Lift the transmission plate.
- Unscrew the two screws fastening the angle plate to the white cog wheel. There are two oblong holes in the cog wheel.
- If you want to change the "parking", place the transmission pin in the opposite oblong hole.
- If you want to change the "wiping angle", replace the angle plate-align the hole marked with the desired sweep angle with the oblong hole on cog wheel, and screw the angle plate back.
- Replace transmission plate, replace "U" clip, if much of lubricating grease is removed during the process, replenish some.

