

product specifications for:

Marinco Horns

Item #: 10036

Description

International Shorty Electric Horn, 12V

Electrical Specifications

Max. Amp Draw: 4.5A
Voltage: 12V
Fundamental Frequency: 310±20 Hz
dB(A) Rating: 123 at 1 meter

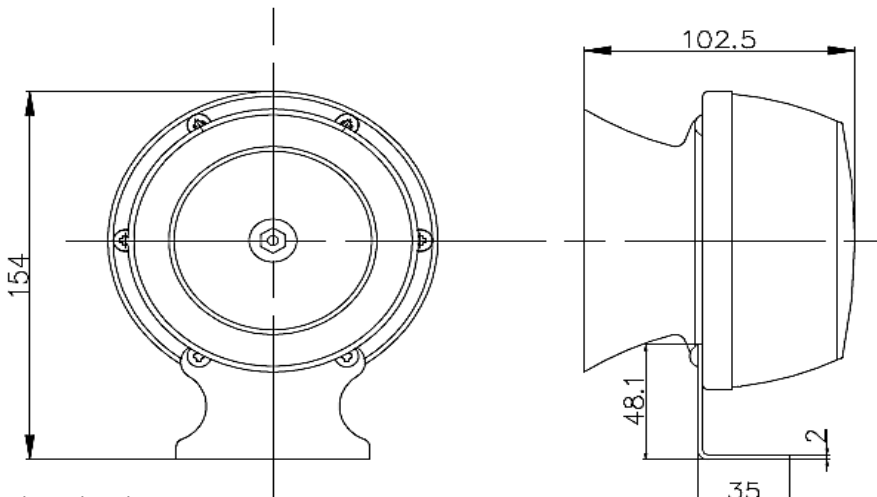
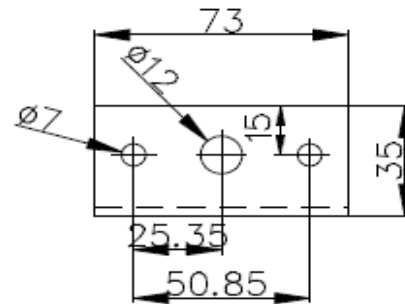
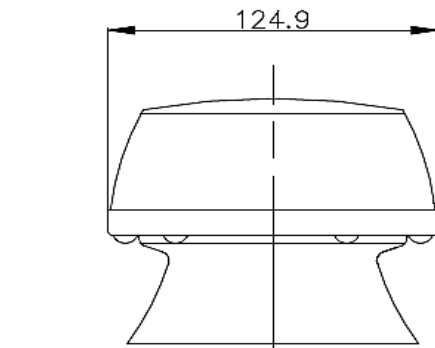
Material Specifications

Body: Chrome-Plated ABS
Gasket: Neoprene
Diaphragm: Stainless Steel
Mounting Bracket: Stainless Steel



Standards and Certifications

ABYC #A23



Dimensions in mm.

toll free 800.307.6702 | marinco.com

